



HRL-1250-1 HEATLESS DESICCANT AIR DRYER GENERAL ARRANGEMENT

TOLERANCES UNLESS
OTHERWISE SPECIFIED:

- FRACTIONS = ± 1/4 "
- ANGLES = ± 3°
- INCHES = ± 1/2 "
- FINISH = 250

THE SPECIFICATIONS AND DRAWINGS DISCLOSED HEREIN ARE THE SOLE PROPERTY OF ALTEC AIR, AND SHALL NOT BE COPIED OR USED AS THE BASIS FOR SALE OR MANUFACTURE WITHOUT EXPRESS WRITTEN PERMISSION.

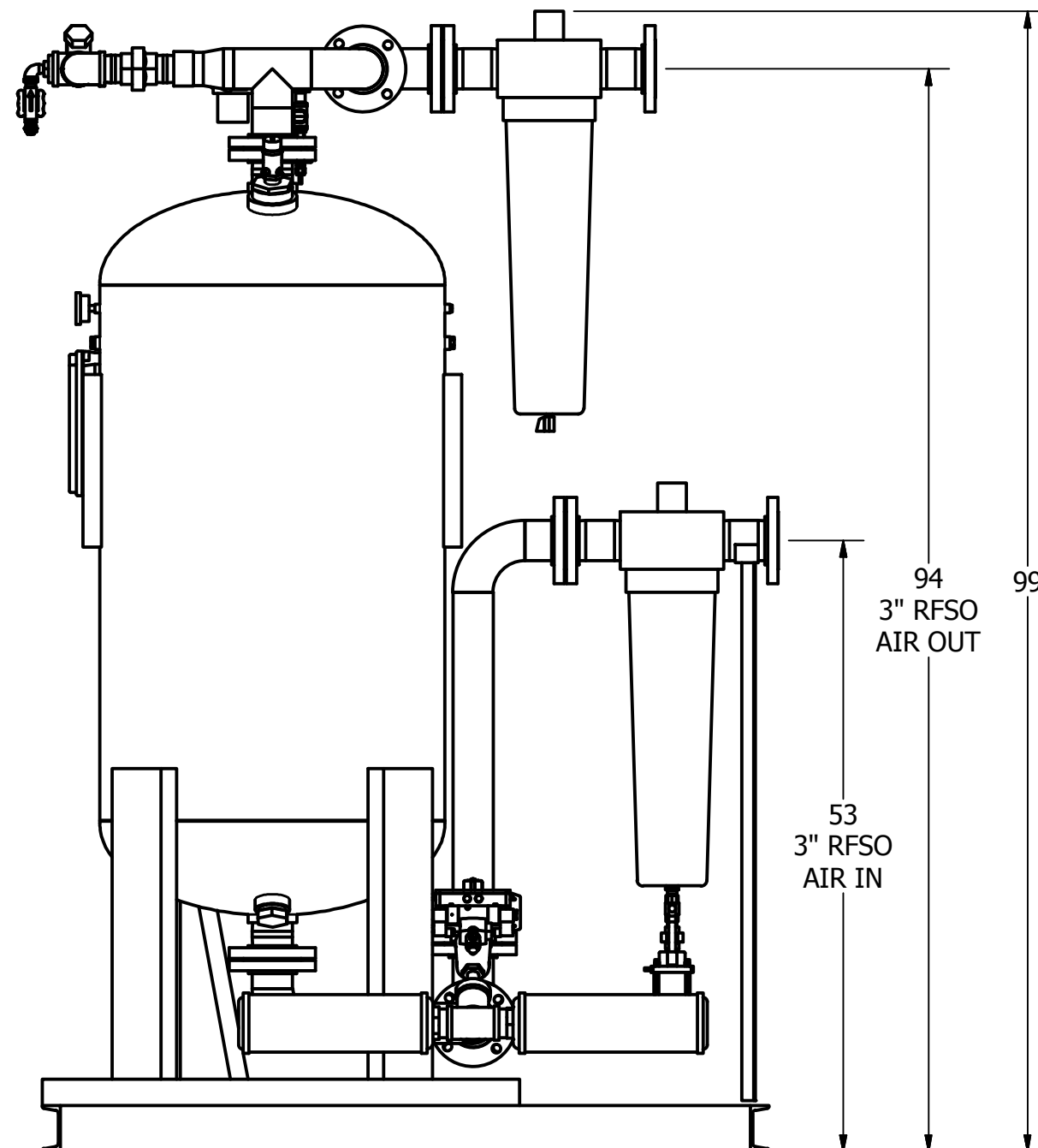
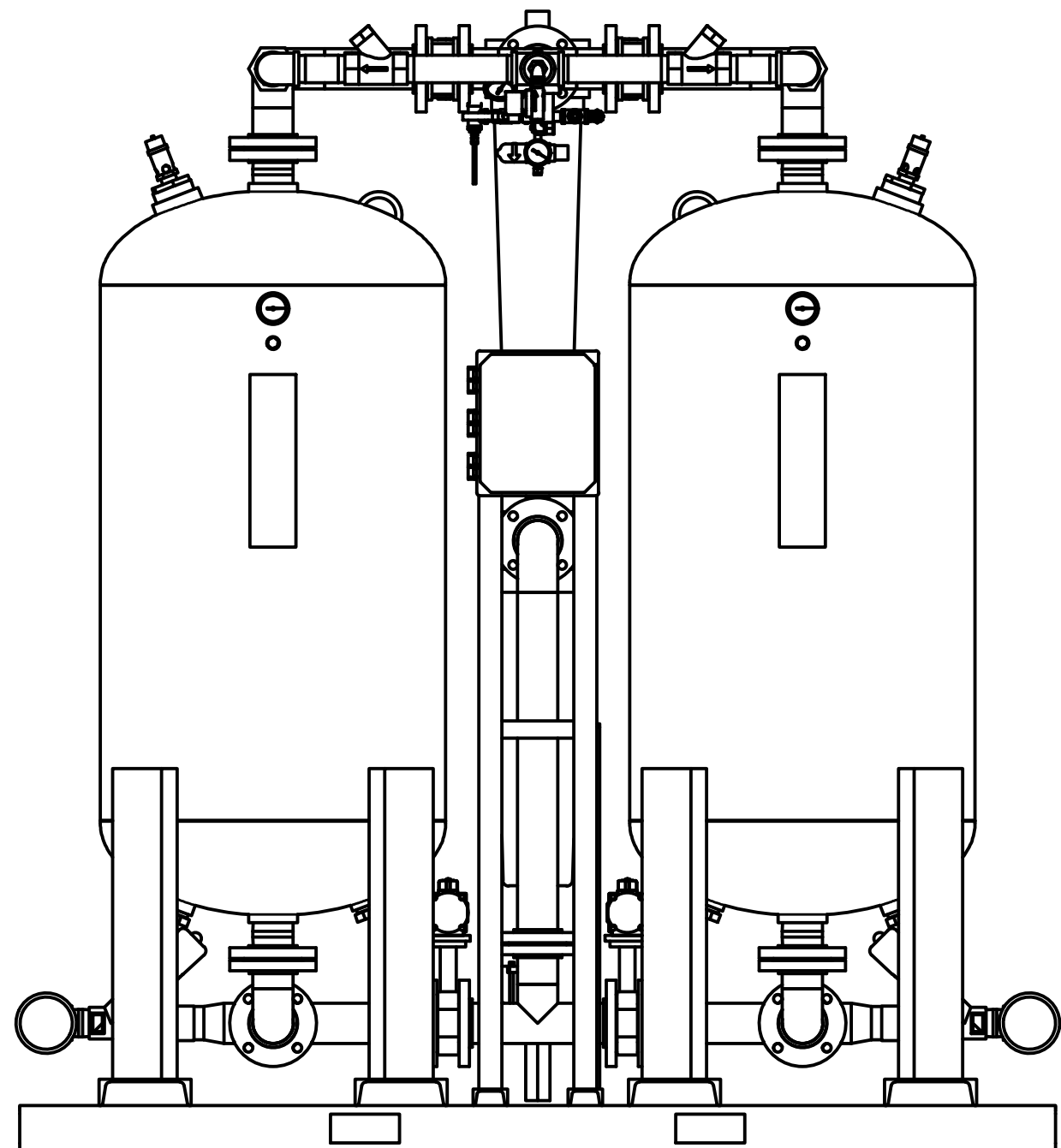
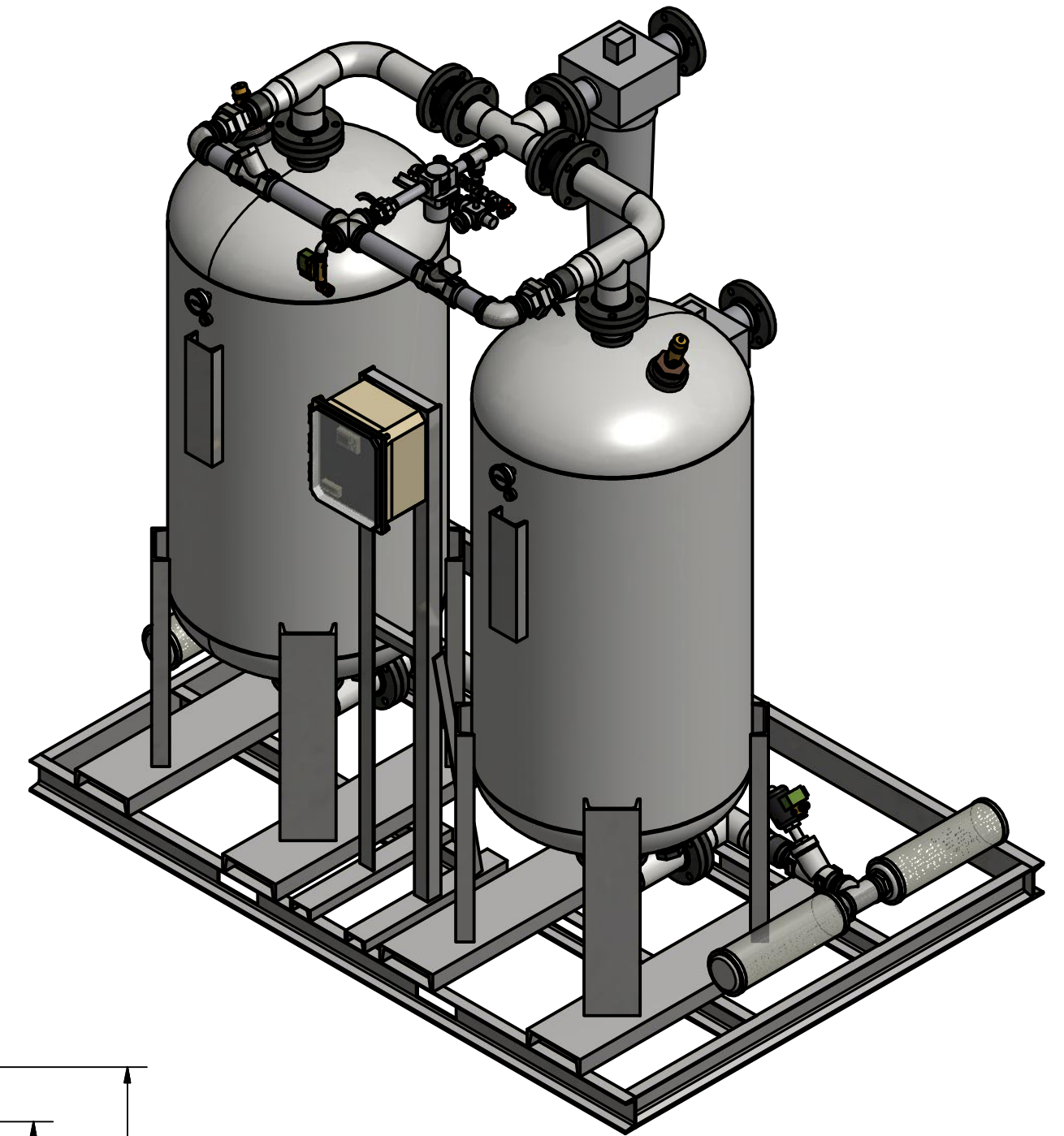
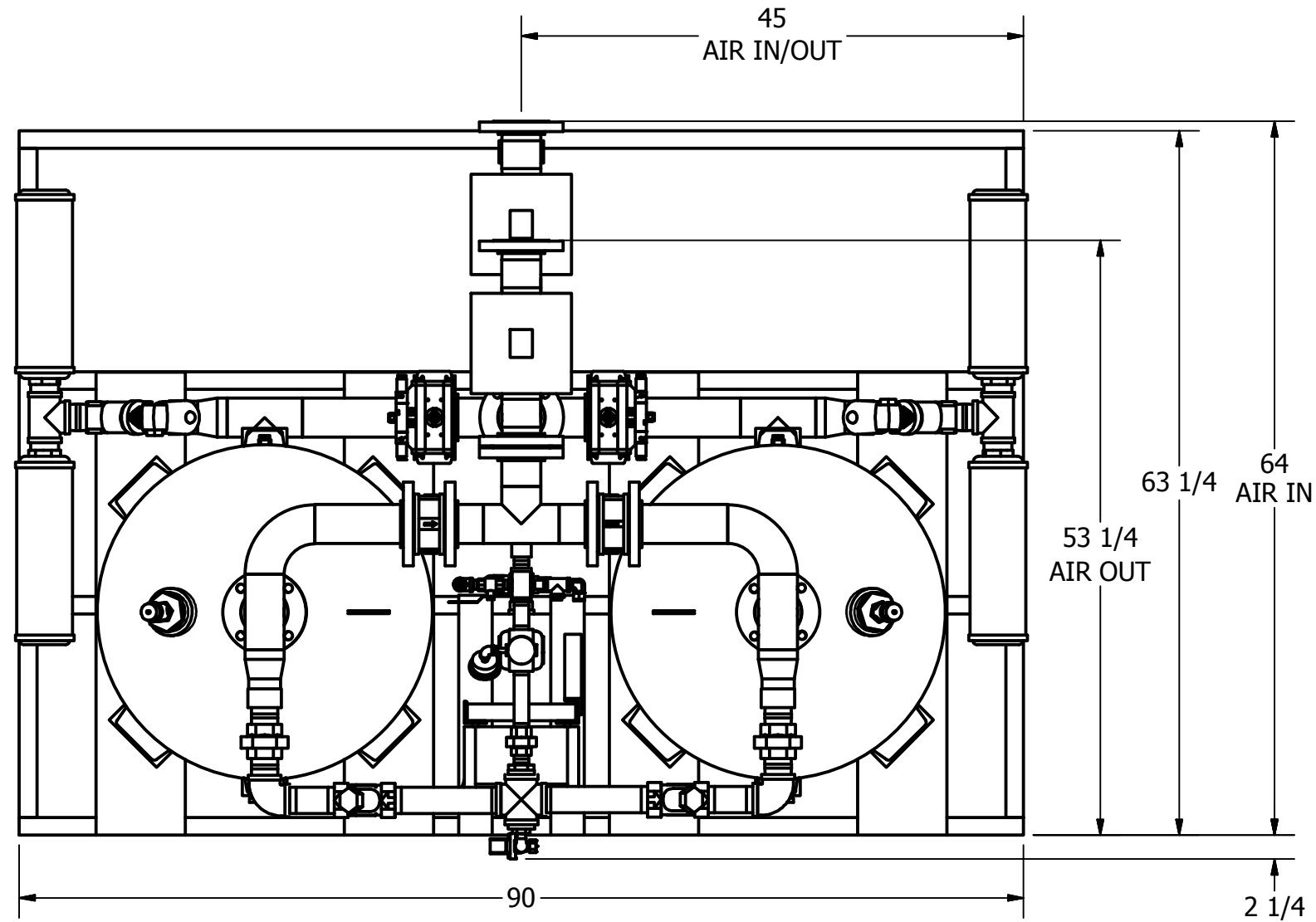
REVISION LOG

REV.	ECO.	DESCRIPTION	DATE	APPROVED
D	0807	REPLACED PLATE WITH C-CHANNEL	1/7/2019	WS

DRAWING NO. **AT20-644** REV. **D**

DRAWN: MR DATE: 9/9/2015
CHECKED: DATE:

SCALE: N/A SHEET: 1 OF 2



PRELIMINARY



HRL-1250-1 HEATLESS DESICCANT AIR DRYER GENERAL ARRANGEMENT

TOLERANCES UNLESS
OTHERWISE SPECIFIED:

FRACTIONS = ± 1/4 "
 ANGLES = ± 3°
 INCHES = ± 1/2 "
 FINISH = 250

THE SPECIFICATIONS AND DRAWINGS DISCLOSED HEREIN ARE THE SOLE PROPERTY OF ALTEC AIR, AND SHALL NOT BE COPIED OR USED AS THE BASIS FOR SALE OR MANUFACTURE WITHOUT EXPRESS WRITTEN PERMISSION.

REVISION LOG

REV.	ECO.	DESCRIPTION	DATE	APPROVED
D	0807	REPLACED PLATE WITH C-CHANNEL	1/7/2019	WS

DRAWING NO.

AT20-644

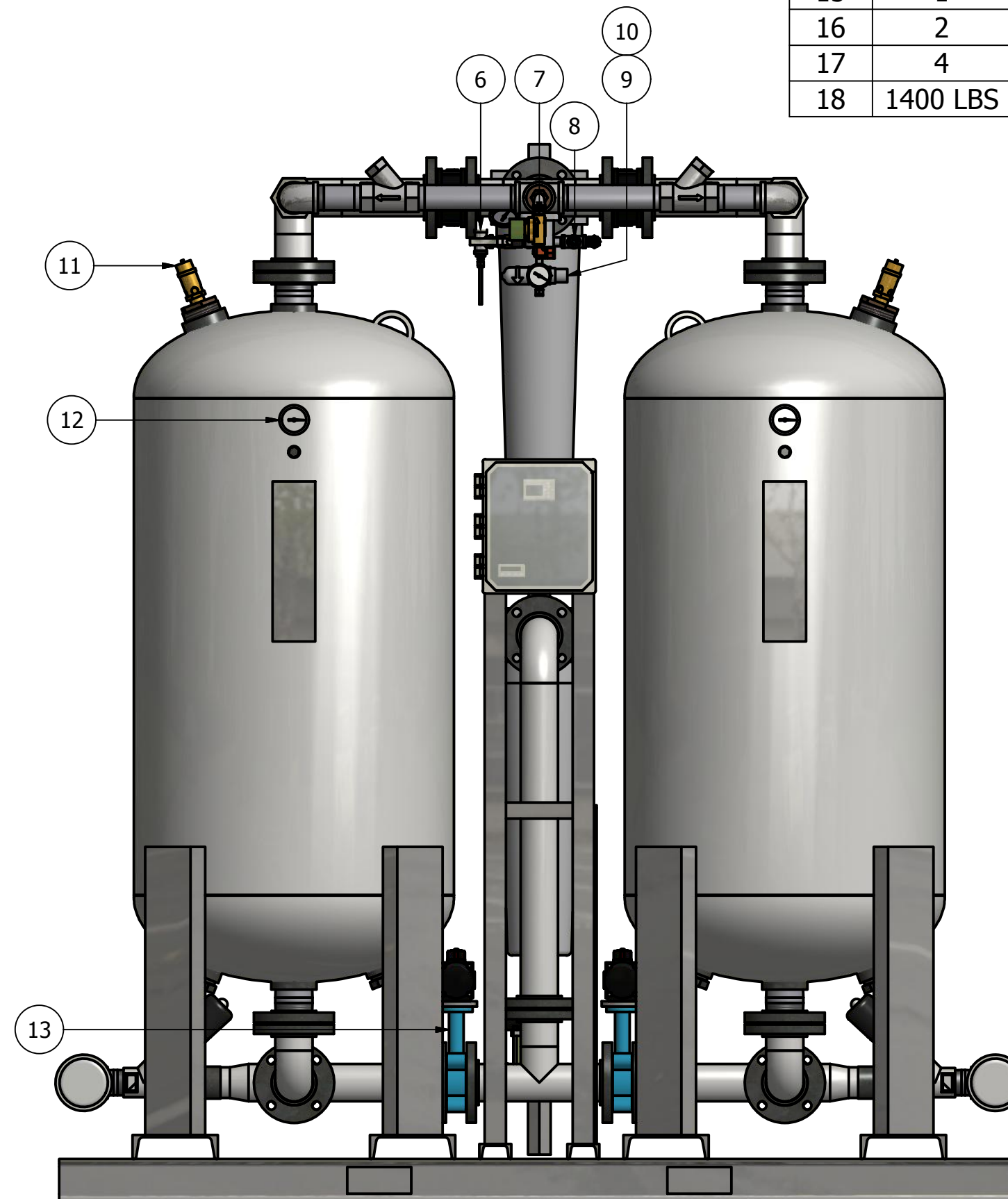
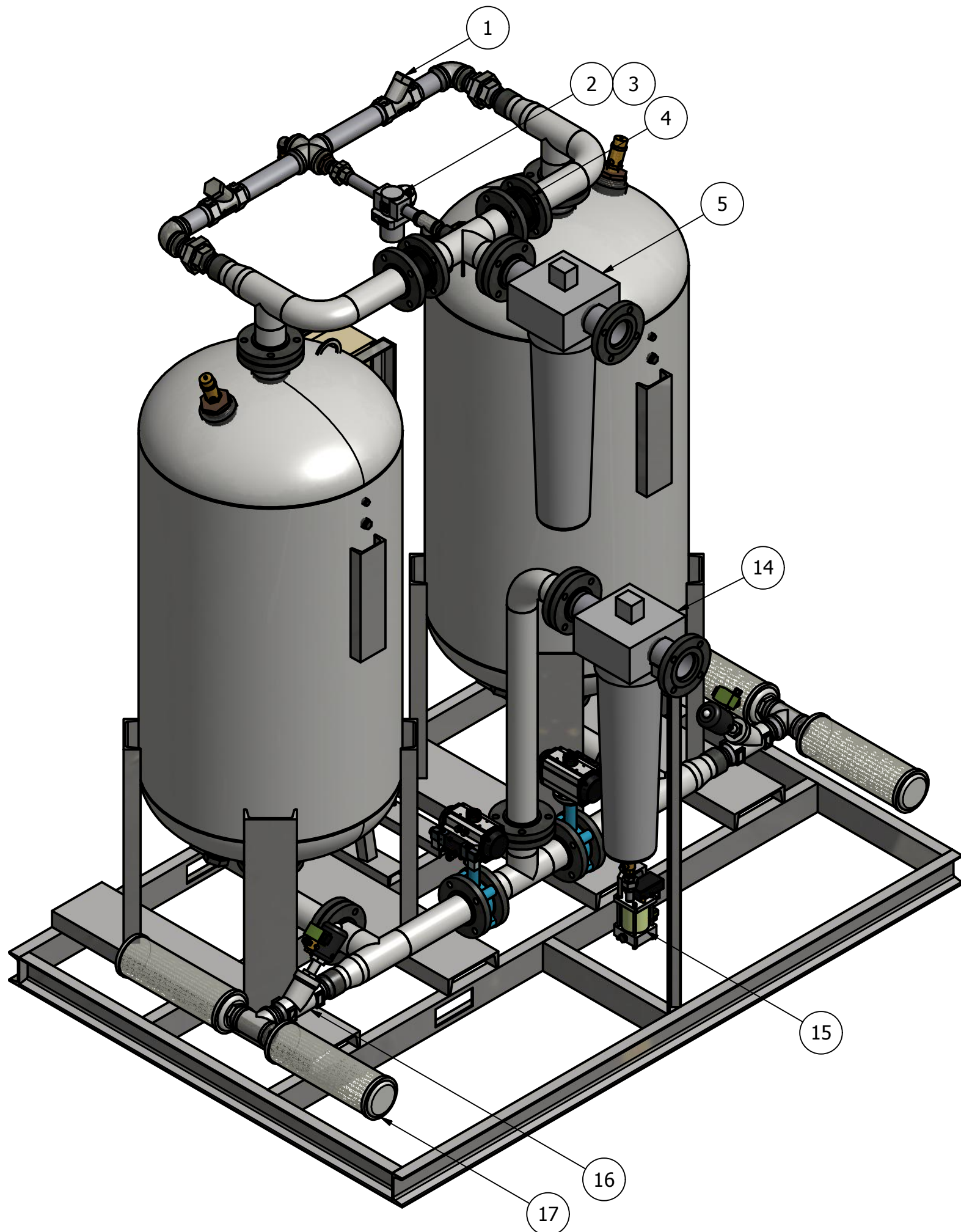
REV.
D

DRAWN: MR DATE: 9/9/2015
 CHECKED: DATE:

SCALE: N/A SHEET: 2 OF 2

PARTS LIST

ITEM	QTY	DESCRIPTION
1	2	CHECK VALVE, PURGE
2	1	PRESSURE REGULATOR, PURGE
3	1	PRESSURE GAUGE, PURGE
4	2	CHECK VALVE, OUTLET
5	1	PARTICULATE AFTER-FILTER
6	1	DEW POINT MONITOR (OPTIONAL)
7	1	SOLENOID VALVE, REPRESS
8	1	MOISTURE INDICATOR
9	1	PRESSURE REGULATOR, CONTROL
10	1	PRESSURE GAUGE, CONTROL
11	2	RELIEF VALVE, TANK
12	2	PRESSURE GAUGE, TANK
13	2	BUTTERFLY VALVE, INLET
14	1	COALESCER PRE-FILTER
15	1	ZERO LOSS DRAIN
16	2	ANGLE BODY VALVE, EXHAUST
17	4	MUFFLER, EXHAUST
18	1400 LBS	DESICCANT



PRELIMINARY